

 (+86)400-8120-669

2023.04

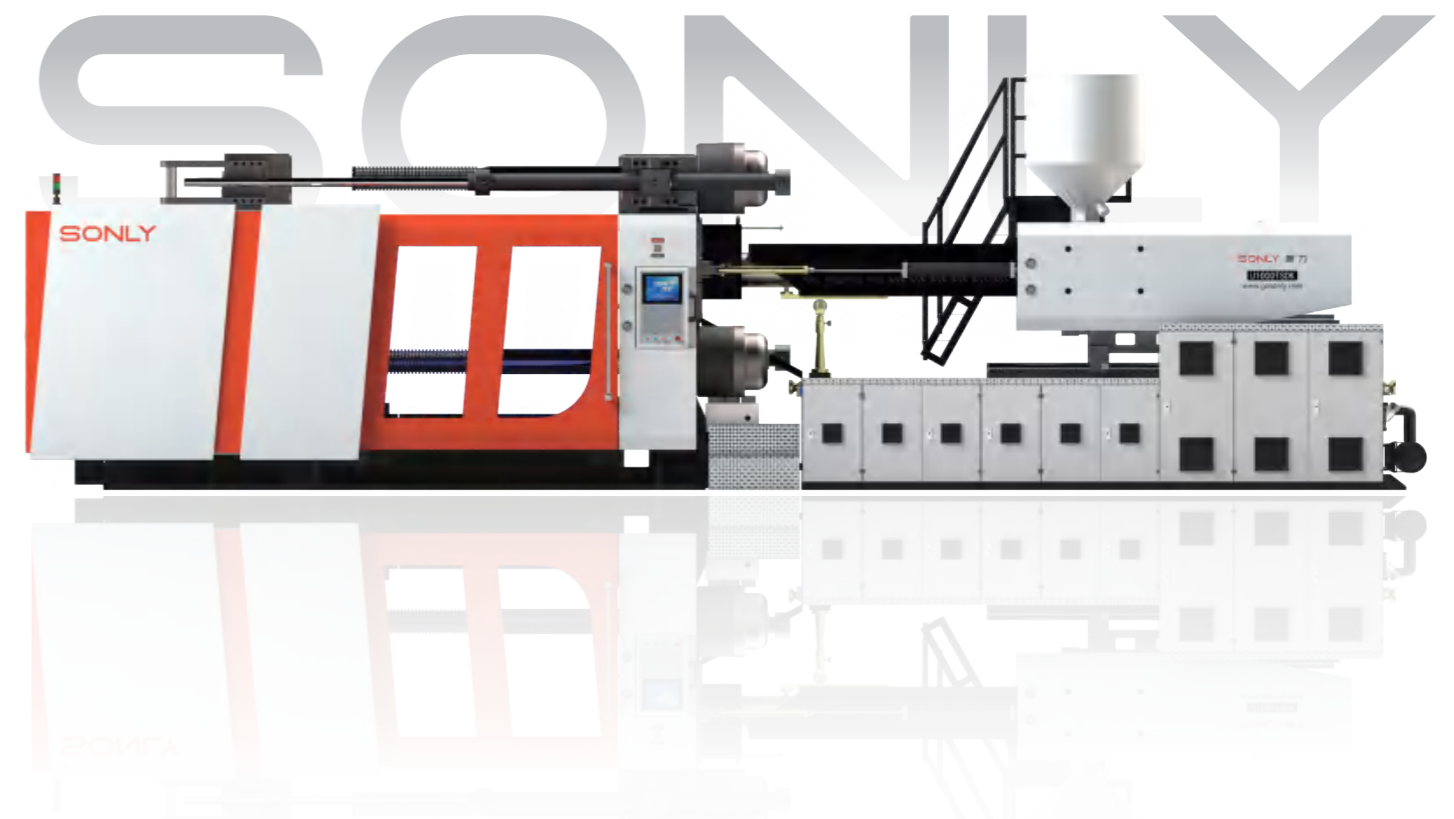
SONLY 首力

# 首力二板系列注塑机

SONLY TWO-PLATEN INJECTION MOLDING MACHINE

[www.gosonly.com](http://www.gosonly.com)

**U800-2900TSDK**



工信部工业机械示范品牌

**浙江首力智能装备有限公司**

ZHEJIANG SONLY INTELLIGENT EQUIPMENT CO.,LTD



SONLY 首力

**浙江首力智能装备有限公司**

ZHEJIANG SONLY INTELLIGENT EQUIPMENT CO.,LTD

地址(Add): 宁波市慈溪滨海经济开发区灵绪路 288 号  
No.288, LingXu Road, Cidong Binhai Industrial Zone, Ningbo  
电话(TEL): +86 574-83876031 +86 574-63990188  
传真(Fax): +86 574-63780949 邮编 (P.C.): 315311  
[http: www.gosonly.com](http://www.gosonly.com) (中文) [www.ouyilai.com](http://www.ouyilai.com) (English)  
E-mail: [sales@ouyilai.com](mailto:sales@ouyilai.com)



公众号二维码



网站二维码

**企业概况**

COMPANY PROFILE

首力是专业提供塑料成型整体解决方案的高新技术企业，公司创建于1998年，位于“中国注塑机之都”宁波，集研发、制造、加工、检测、应用于一体，年生产能力达到5000台。

首力拥有6万平米现代化生产基地，各类大型先进精密加工和检测设备300余台套，拥有一批高素质、高学历的技术研发和管理团队、与知名高校联合建立研究生培养基地。

首力是工信部机械品牌示范企业，通过CE、ISO9001质量体系认证，已累计授权专利27项，拥有品类齐全的首力U-TS系列高档精密注塑机、伺服注塑机、PET瓶胚、PP-R管件专用、水果筐、双色、二板大型、全电动注塑机等多系列规格，涵盖了锁模力98吨-3400吨的全系列产品，在国内建立40多家销售网点，产品远销欧洲、北美、南美、东南亚、中东、非洲等国家和地区。

SONLY is a high technical company which established in 1998, professional at offering turnkey plastic injection project solution. SONLY factory located in Ningbo, "the city of injection molding machine". It has a whole production line including research & study, manufacturing, processing, inspection and application, with production capacity of 5000 sets each year.

SONLY has a modern production workshop of 60000 square meters, more than 300 sets different kinds of big advanced precision equipment, a group of highly educated research team and management team.

SONLY injection molding machine has CE, ISO 9001 certificates and 27 patents. It produces injection machine from 98 to 3400 tons, includes SONLY U-TS series high precision injection molding machine, servo motor injection molding machine, PET preform machine, PPR special series machine, fruit box special series machine, double color machine, two plate machine, full electric injection machine etc., which has been sold to Europe, North America, South America, Southeast Asia, Middle East and Africa.



航拍图

**1998**

始创于  
Founded in

**60000**

公司面积 (m<sup>2</sup>)  
Company area (m<sup>2</sup>)

**200+**

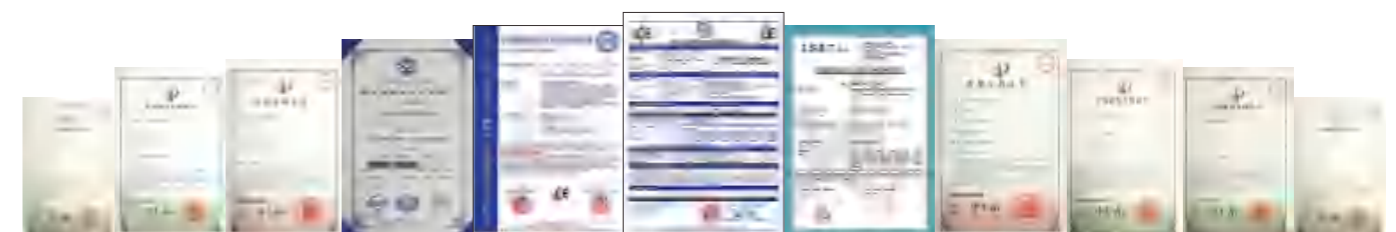
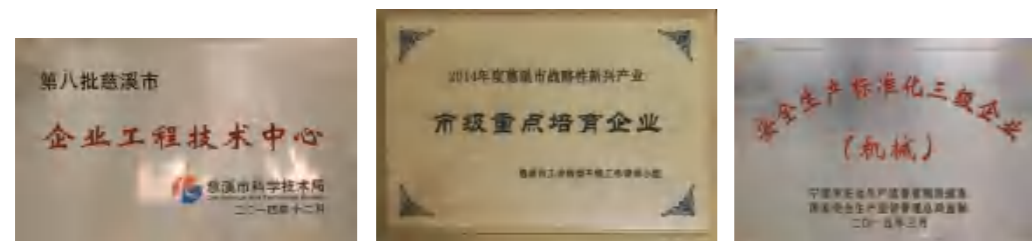
公司员工  
Company employees

**5000+**

年产量 (台/套)  
Annual output (machines)

**专利证书**

**THE PATENT CERTIFICATE**





## 理念与价值观

IDEAS AND VALUES

首力秉承“**高效节能、精密稳定**”的产品理念，为全球市场提供设计先进、功能完善、品质卓越的设备 and 更智慧的注塑解决方案。

Sonly adheres to the product concept of "high efficiency energy saving, precision with stability", providing advanced design, perfect function, excellent quality equipment and more highlight injection moulding solutions in the global market.

“**创新、绿色、智能、开放、节能**”是首力的品牌理念。我们践行“**诚信、责任、务实、创新、利他**”的价值观，服务万千用户，创造更优价值。

"Innovation, green, intelligence, openness and energy saving", this is the brand concept of Sonly. We practice the values of "integrity, responsibility, pragmatism, innovation and altruism" to serve thousands of customers and create better value.



## 强大制造实力

STRONG MANUFACTURING CAPABILITY



**6S 管理**  
6S management



**精益生产**  
precise production



**持续改善**  
continuous improvement



**完美交付**  
perfect delivery

## 车间一角

WORKSHOP CORNER



**车间设备**  
WORKSHOP EQUIPMENTS



## 产品核心竞争力

PRODUCT CORE COMPETITIVENESS

首力深耕注塑行业25年，以专业化实践为坚实后盾。高端二板式注塑机系列集诸多创新技术于一身，灵活丰富的功能配置，为您提供专业的定制化解决方案。

SONLY is deeply committed to the injection molding industry for 25 years, backed by professional experience. The high-end two-platen injection molding machine series collection of innovative patented technologies, with flexible and rich functional configurations to provide you with professional customized solutions.

首力二板注塑机的特点是布局灵活，外部尺寸紧凑。适用于运输箱、仪表板到大型雨水箱等多种应用。提供 8000 kN 至 29000 kN 的锁模力范围，可选配更多。

SONLY two-platen injection molding machine is features by flexible layout and compact external dimensions. Suitable for a variety of applications from shipping boxes and dashboards to large rainwater tanks. Supply 8000 kN to 29000 kN Clamping force ranges, with more available as options.

## 大容量模量 布局灵活 尺寸紧凑 节能高效

Huge mold space, Flexible layout, Compact size, Energy efficient



**结构型式**  
Structure type

**双板**  
two-platen



**驱动类型**  
Driver type

**伺服液压**  
servo hydraulic



**锁模力**  
Clamping force

**800t - 2900t**  
800-2900t





### 设计科学，更高效率

Scientific design, higher efficiency.

拉杆间距的延长，使输出量更大。

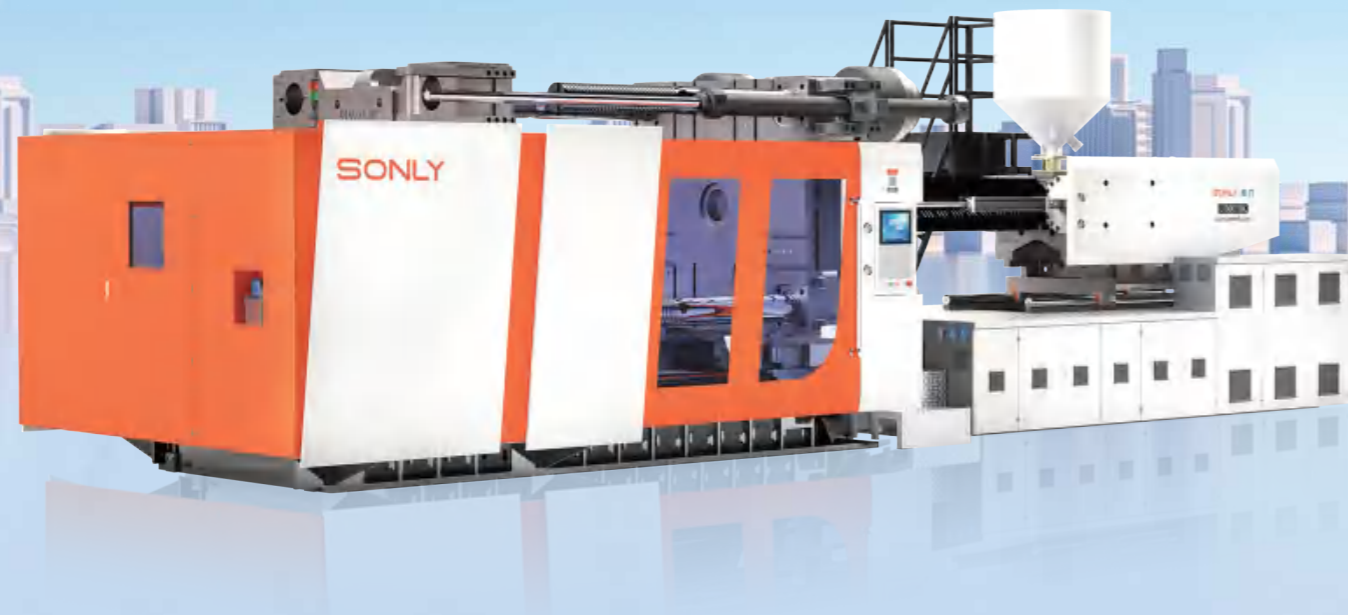
由于弹出区和弹出板的设计符合人体工程学，启动时间更短，

机器设置和模具更换时间也更快。

具附近接口的芯拉、热流道、水和电让工具设置更快更容易。更紧密的尺寸分级，更

多的宽板型号，可以使您准确的投资于你需要的机器尺寸。

The extension of the distance between the tiebar makes the output larger. Due to the ergonomic design of the ejection zone and ejection plate, start-up times are shorter and machine set-up and die change times are also faster. Core pulls, hot runners, water and electricity for near-mold interfaces make tool setup faster and easier. Closer size classification and more wide plate models allow you to invest in the exact machine size you need.



### 模块化注塑单元减少停机

Modular injection unit reduces downtime.

我们成熟的解决方案提高了生产效率：射料缸更换无需特殊工具，快速简便；

结合模块化喷嘴设计，可减少停机。

Our mature solutions increase productivity: shot cylinder replacement is quick and easy without special tools; combined with modular nozzle design, it reduces downtime.

## 首力二板注塑机六大优势

SIX ADVANTAGES OF SONLY TWO-PLATEN INJECTION MOLDING MACHINE

### 短周期和干运行时间

Short cycle and dry running time.

定制的塑化和注塑单元，结合快速闭合机制，改善了机器性能，产量更高，周期时间更短，注塑和塑化性能可提高25%。

Customized plasticizing and injection unit, combined with quick-close mechanism, improves machine performance, higher output, shorter cycle time, injection and plasticizing performance can be increased by 25%.

### 紧凑且节省空间的结构和灵活的机器布局

Compact and space-saving construction and flexible machine layout.

首力二板机现代化的设计，双板式闭合侧和非常紧凑的注塑单元，具有紧凑的外部尺寸，可实现非常小的占地面积，节省了昂贵的空间。从基本要求到交钥匙解决方案的个性化定制，通过众多选项包都可以满足。

The modern design of Sonly two-platen machine, double-platen closed side and very compact injection unit with compact external dimensions can achieve a very small footprint, saving expensive space. From basic requirements to individual customization of turnkey solutions through numerous option packages.

### 大型组件的节能生产

Energy-efficient production of large components.

由于泵功率以需求为导向，在机器静止时，电机会停止工作，不消耗能量。首力高效伺服液压系统可确保在生产大体积或大面积零件时具有很高的成本效益。

Since the pump power is demand-oriented, when the machine is stationary, the motor stops working and consumes no energy. Sonly high-efficiency servo-hydraulic system ensures high cost-effectiveness in the production of large-volume or large-area parts.

### 通过数字化解决方案提高生产率

Increase productivity with digital solutions

首力的数字化解决方案自动确定合适的锁模力，精确的锁模力分布和模板平行度调节确保更高的过程稳定性，减少模具磨损。模具排气稳定保持在理想区间内，极大降低废品率。

Sonly's digital solution automatically determines the appropriate clamping force, precise clamping force distribution and template parallelism adjustment to ensure higher process stability and reduce mold wear. The mold exhaust is kept stable within the ideal range, which greatly reduces the scrap rate.

产品特点 | 锁模单元

PRODUCT FEATURES | CLAMPING UNIT

干周期快、可靠稳定。

SONLY系列两板式注塑机，基于高刚性锁模单元设计，同步抱闸设计，精密导向设计，快速起压油缸和快速响应控制系统，结合高响应双比例阀控制，实现更高的动作效率和控制稳定性，直接提升制造效率和产能。

(内部1000吨测试结果)

Fast dry cycle, reliable and stable.

SONLY series two-platen injection molding machine, based on high-rigidity mold clamping unit design, synchronous brake design, precision guide design, quick-starting oil cylinder and quick-response control system, combined with high-response dual proportional valve control, to achieve higher operating efficiency and control stability directly improves manufacturing efficiency and productivity. (Internal 1000 ton test results)

技术优势

- 超大容模量，移模行程可扩展
- 开模重复定位精度最高达 $\leq 1\text{mm}$
- 移模油缸模块化设计
- 模具支撑重量提升 18%
- 拉杆偏载 $\leq 3.5\%$

Technical Advantages

- 1.Huge mold space, clamping stroke can be expanded.
- 2.Mould open position repeat accuracy  $\leq 1\text{mm}$ .
- 3.Modular design of mold opening cylinder.
- 4.Increased mold support weight by 18%.
- 5.Tie-bar load eccentric  $\leq 3.5\%$ .

防冲击稳定同步抱闸结构

采用带缓冲的同步抱闸机构，精确无冲击、抱闸快速；拉杆定位平稳，受力均匀更可靠。

Anti-shock and stable synchronous brake structure

The synchronous brake mechanism with buffer is adopted, which is accurate and has no impact, and the brake is fast; the positioning of the tiebar is stable, the force is uniform and more reliable.

大型模具室，超大容模量及开模行程

拉杆外露，与经过优化的节能型伺服液压系统配合使用，具有非常清洁和灵活的模具区，适应更多模具。大型模具和机械手的安装位置因为自由空间而游刃有余。

Huge mold space, super large modulus capacity and opening stroke

The tiebar is exposed and work with the optimized energy-saving servo hydraulic system, which has a very clean and flexible mold area to accommodate more moulds. The installation position of large molds and manipulators is easy due to free space.

独立高压油缸设计，增压油缸双作用

提供更大的开模力，可实现慢速高压开模功能，实现产品轻松破模取件；并可以满足厂房高度过低通过抽导柱实现上下模的需求。

Independent high-pressure cylinder design, double-acting booster cylinder

It provides greater mold opening force, which can realize the function of slow-speed high-pressure mold opening, and realizes easy mold breaking and pick-up of products; it can also meet the needs of the factory building where the height is too low to realize the upper and lower molds through the pumping guide column.

油缸对角平衡布置

高速移模油缸采用对角式平衡布局，保证开合模运行平稳、速度更快，有效缩短干周期。

Cylinder diagonally balanced arrangement

High speed cylinder with Diagonal parallel structure, guarantees stable and fast mold damping & opening, shortens dry cycle time.

移动模板滑脚斜铁式支撑装置

模具支撑重量提升 15%，可支撑更重模具，且易于调节平行度。

Mobile formwork Sliding foot oblique iron type support device

Can support heavier molds, mold Support weight increased by 15% and easy to adjust parallelism.

重复精度高

开合模比例阀控制技术，提高开模终点位置与重复位置精度。开模位置重复精度可达 $\pm 0.2\text{mm}$ ，(内部 1000 吨测试结果)

High repeatability

The mold opening and closing proportional valve control technology improves the accuracy of the mold opening end position and repeat position. The repeatability of the mold opening position can reach  $\pm 0.2\text{mm}$ , (internal 1000 ton test results).

高刚性精准导向设计

高刚性机架 L 型导轨精密导向，导向精度达 $0.05\text{mm}$ ，为模板快速平稳运行创造条件。

High rigidity and precise guide design

The high-rigidity frame is precisely guided by the L-shaped guide rail, and the guiding accuracy reaches  $0.05\text{mm}$ , creating conditions for the fast and stable operation of the formwork.

模具保护灵敏

采用智能提前减速控制，可以实现 $0.3\text{mm}$ 反弹功能，模具保护更加可靠，更加灵敏。

Sensitive mold protection

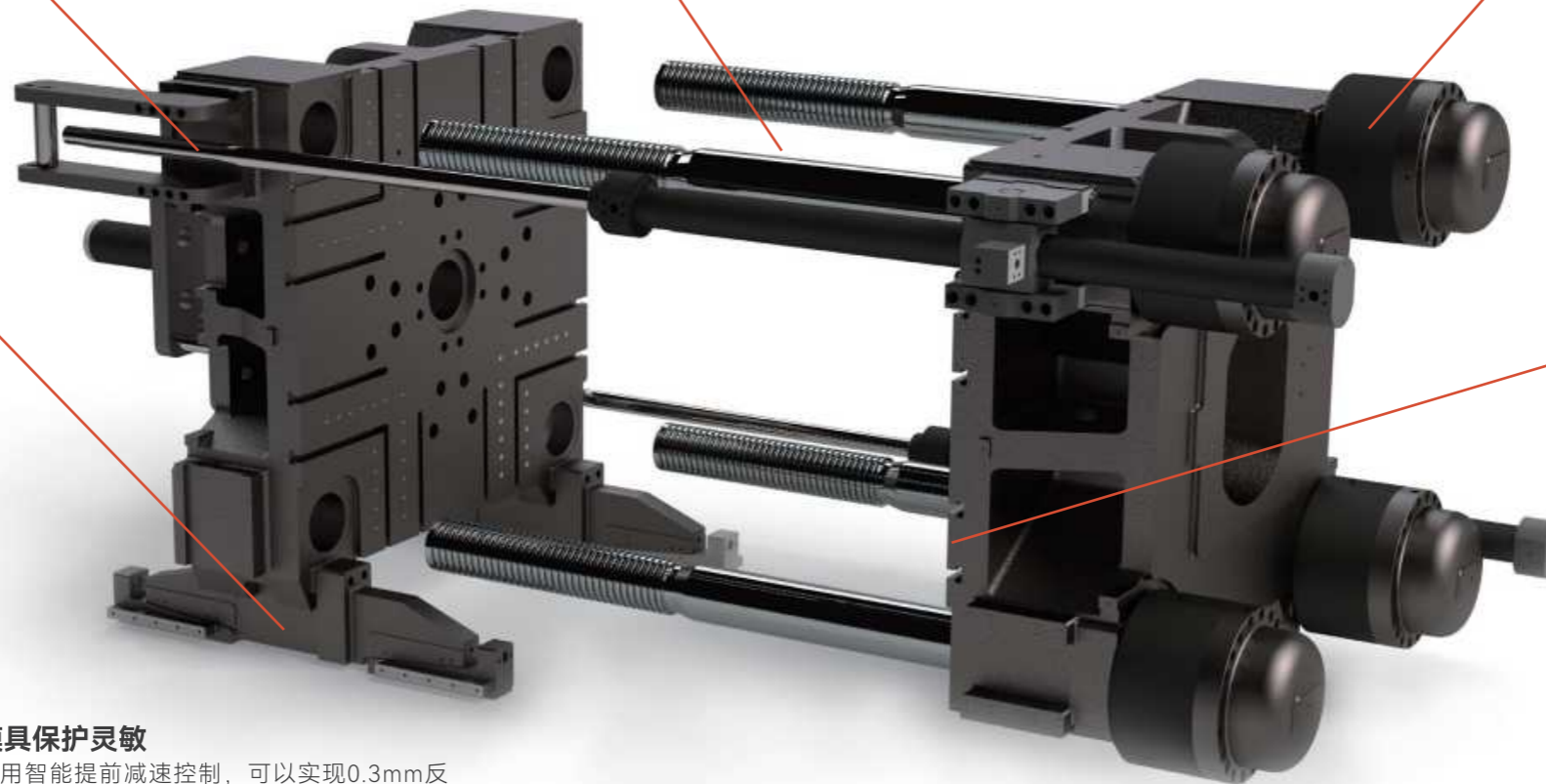
Adopt intelligent advance deceleration control, can realize  $0.3\text{mm}$  rebound function, mold protection is more reliable and sensitive.

耐磨耐腐均应力导柱设计

导柱经特殊工艺处理，刚性高、耐磨、耐腐，牙受力均匀度达 99% 以上，不偏载，耐用。

Wear-resistant and corrosion-resistant uniform stress guide column design

The guide post is processed by special technology, which is highly rigid, wear-resistant and corrosion-resistant. The force uniformity of the tooth is over 99%, and it is not biased and durable.





**产品特点 | 注射单元**  
PRODUCT FEATURES | INJECTION UNIT

射胶终点稳定，重复精度高。

SONLY系列两板式注塑机，标配线性导轨，阻力低，加速快，结合高刚性射胶机构设计和超声波非接触式数字位移传感器监测等，位置控制精准，制品重复精度高。

**Stable injection end point, high repeatability.**

SONLY series two-platen injection molding machine is equipped with linear guide rail as standard, with low resistance and fast acceleration, combined with high rigidity injection mechanism design and ultrasonic non-contact digital displacement sensor monitoring, etc., precise position control and high repeatability of products.

技术优势

- 制品质量重复精度 $\leq 0.3\%$
- 模块化设计理念
- 料筒温度控制 $\leq \pm 1^\circ\text{C}$

**Technical Advantages**

1. Injection repeat accuracy less than 0.3%.
2. Modular design.
3. Temperature control of barrel  $\leq \pm 1^\circ\text{C}$ .

**注射台旋转装置**

更换螺杆更加方便。

**Rotational injection unit**

More easier to replace the screw and barrel.

**高刚性射胶机构**

射胶机构铸件采用高刚性球墨铸铁，模板刚性高，变形小，注射更稳定。

**High rigidity injection mechanism**

The casting of the injection mechanism is made of high-rigidity ductile iron, the template has high rigidity, small deformation, and more stable injection.

**电预塑系统（选用）**

全系列标配大扭矩电预塑电机，较油马达预塑节能10%~25%；电机连续不间断运行，塑化效果更好、更稳定；更容易实现开储同步功能，以大幅缩短成型周期。

**Electric plasticizing system(optional)**

Whole series is equipped with high-torque electric pre-molding motor as standard, which saves 10%-25% energy compared with oil motor pre-molding; the motor runs continuously, and the plasticizing effect is better and more stable; it is easier to realize the synchronous function of opening and storage, so as to greatly shorten the molding process cycle.

**整体式射胶线性导轨**

SONLY系列标配射胶线性导轨，阻力低，加速快，注射精密。

**Integral injection linear guide**

SONLY series comes with injection linear guide as standard, which has low resistance, fast acceleration and precise injection.

**双缸射台整移结构**

双射油缸平衡于料筒两侧，确保射嘴不偏移，注射更稳定。密封性好，避免漏胶。

**Double-cylinder injection platform moving structure**

The double-injection cylinder is balanced on both sides of the barrel to ensure that the nozzle does not deviate and the injection is more stable. Good sealing, avoid glue leakage.

**自适应 PID 温度控制**

采用耐用陶瓷发热圈，温度控制精度 $\pm 0.5^\circ\text{C}$ 。

**Adaptive PID temperature control**

Using durable ceramic heating coil, the temperature control accuracy is  $\pm 0.5^\circ\text{C}$ .

**座台手动泄压集中润滑装置**

带泄压手动润滑泵+检知式油脂分配器，便捷、美观、无拉扯。

**Manual pressure relief centralized lubrication device for seat**

Manual lubricating pump with pressure relief + detection type grease distributor, convenient, beautiful, no pulling.

**高效塑化螺杆**

采用专用塑化螺杆，保证塑化效率提升，以快速适应各类塑料原材料需求。

**High efficiency plasticizing screw**

Special plasticizing screw is adopted to ensure the improvement of plasticizing efficiency, used for different plastic raw materials.

**注射性能出色**

射胶终点位置重复精度 $\pm 0.2\text{mm}$ ，制品重量重复精度 $\leq 3\%$ ，满足降本增效需求。

**Excellent injectability**

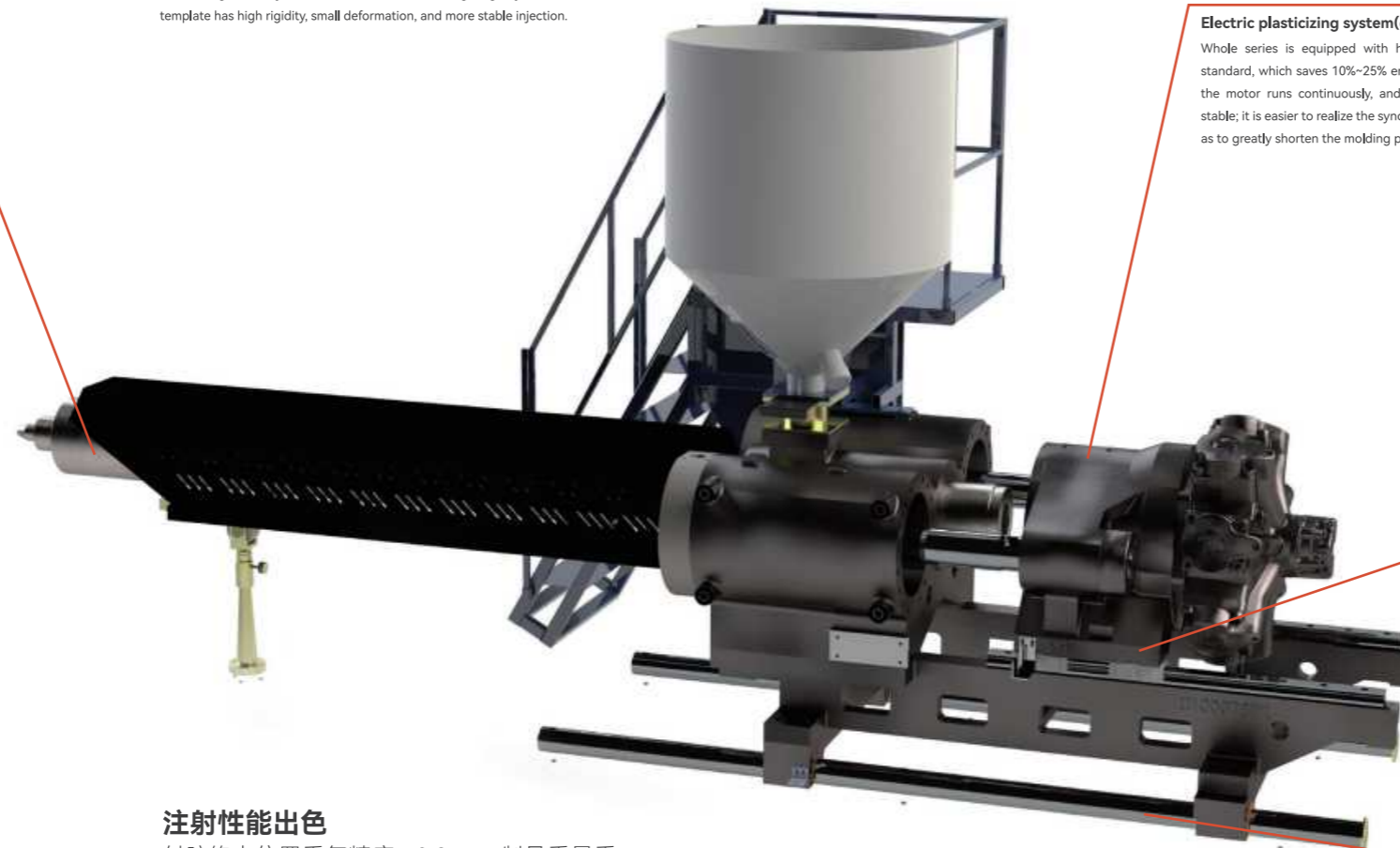
The repeatability of the injection end position is  $\pm 0.2\text{mm}$ , and the repeatability of the product weight is  $\leq 3\%$ , which meets the needs of cost reduction and efficiency increase.

**注射双层线轨结构**

刚性更好，运行更平稳，提高注射重量重复精度。

**Injection double-layer linear rail structure**

Better rigidity, smoother operation, increasing injection weight and repeat accuracy.



**产品特点 | 液压系统**  
PRODUCT FEATURES | HYDRAULIC SYSTEM

过滤精密，冷却高效，系统更稳定。

SONLY系列两板式注塑机，基于稳定和快响应为核心打造的液压系统，油路工作环境达到更佳状态，系统响应快，过载能力强，过程能耗损失少，伺服液压驱动装置实现了节能效果。凭借精巧的射料缸冷却装置，通过优化的螺杆几何形状实现高塑化性能。

**Filtration precision, efficient cooling, more stable system.**

SONLY series two-platen injection molding machine, based on the hydraulic system built with stability and fast response as the core, the working environment of the oil circuit is in a better state, the system has fast responds, strong overload capacity, and less energy loss during the process, also the servo hydraulic drive device realizes energy saving effect. High plasticizing performance due to optimized screw geometry thanks to sophisticated injection cylinder cooling.

**技术优势**

- 全系列开顶联动功能
- 油泵电机功率加大

**Technical Advantages**

1. Full range of open top linkage function.
2. Increased oil pump motor power.

**精密过滤和独立冷却系统**

过滤精密达 5 $\mu$ m，冷却效果相对普通两板机提升 2-3 倍，密封元件使用寿命得到长期保证，机器更稳定。

**Filtration precision and independent cooling system**

The filtration precision reaches 5 $\mu$ m, 2-3 times cooling effect higher than ordinary two-platen machines, the service life of sealing components guaranteed for long time, and more stable for the machine.

**全油冷双头电机伺服系统**

消除了因工作环境导致运行稳定性变化的影响，油路能耗进一步降低，同步驱动技术让油路响应更快，动作效率更高。

**Fully oil-cooled double-head motor servo system**

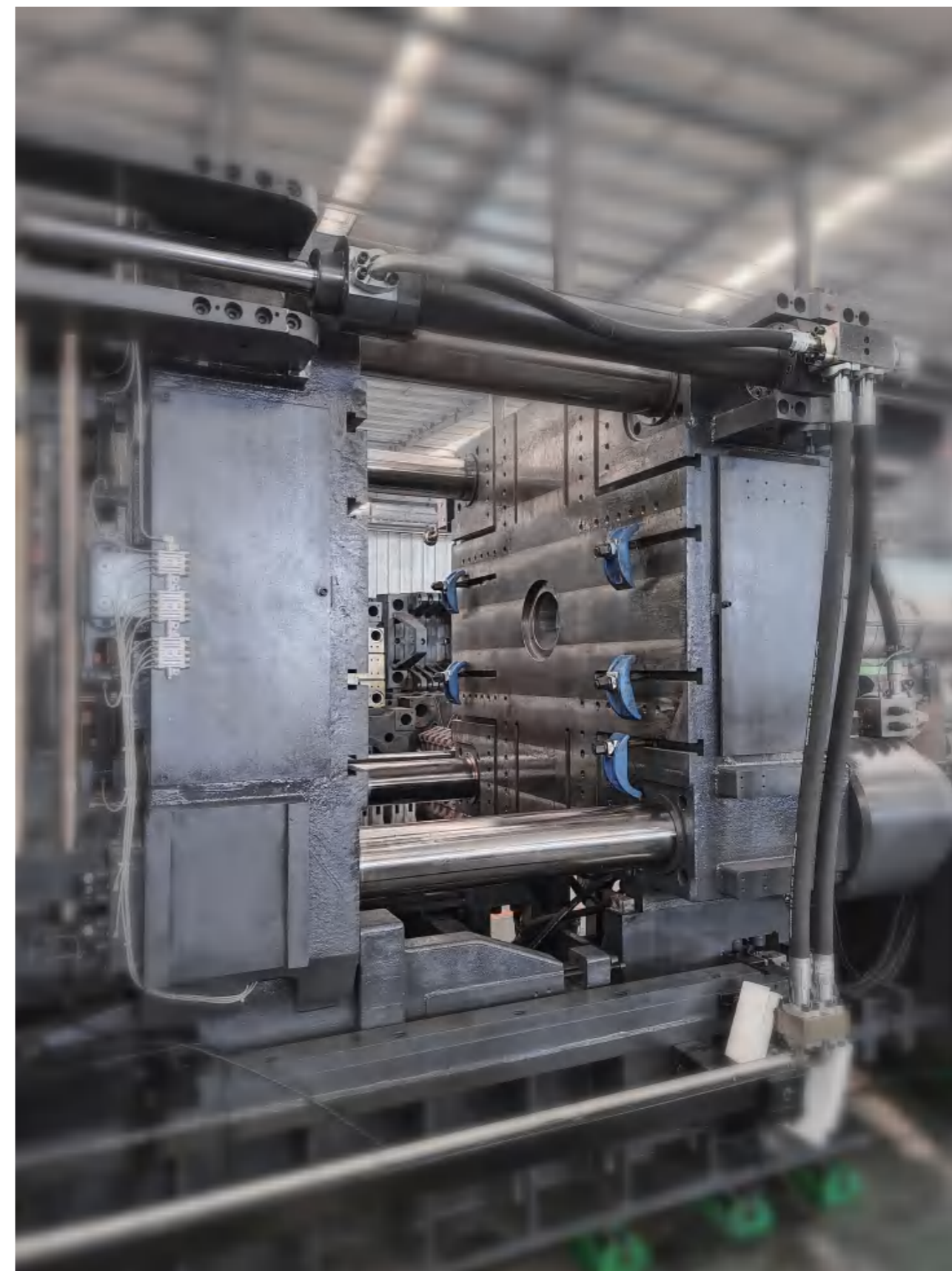
Remove the impact of changes in operating stability due to the working environment, and further reduces the energy consumption of the oil circuit. The synchronous drive technology makes the oil circuit respond faster and the higher action efficiency.

**油泵电机功率加大**

缩短成型周期，拓宽成型工艺。

**Increased oil pump motor power**

Shorten the cycle time and broaden the molding process.





## 产品特点 | 电控系统

PRODUCT FEATURES | ELECTRIC CONTROL SYSTEM

### 系统集成控制

TH580是一款创新的机器控制系统，具有先进的操作逻辑、清晰的导航和个性化配置选项，伺服驱动电脑设置参数，完全集成机械手和外围设备。

### System Integration Control.

TH580 is an innovative machine control system with advanced operating logic, clear navigation and personalized configuration options, servo drive computer setting parameters, fully integrated robot and peripheral equipment.

### 控制精准，可靠稳定，人性化设计

SONLY系列两板式注塑机，采用KEBA/弘讯两板机专用控制系统，功能强，对位置、速度、压力、温度等能实现精准控制，整个系统基于稳定、可靠、安全和人性化操作进行打造，标配12寸，可自由编程，方便二次开发，实现各种功能，让用户获得更佳的应用体验。

#### Precise control, reliable and stable, humanized design

SONLY series two-platen injection molding machine adopts the special control system of KEBA/Techmation two-platen machine, which has powerful functions and can realize precise control of position, speed, pressure, temperature, etc. The whole system is built based on stable, reliable, safe and humanized operation, Standard 12-inch, free programming, convenient for secondary development, realize various functions, so that users can get a better application experience.

### 便于操作,实时远程控制

在线多语言，多单位的自由转换；画面、工艺参数设定简单方便快速。

#### Easy to control, real-time remote control

Online multi-language, multi-unit free conversion; Screen and process parameter setting is simple, convenient and fast.

### 稳定、快速、精准的控制

SONLY系列两板式注塑机采用弘讯MES控制系统，双CPU控制，1ms扫描周期，可靠性好；

高响应双比例阀控制技术，开合模速度快，重复精度高；注射速度、压力及背压全闭环控制，控制响应快，精度高；料管及热流道温度参数自整定功能，温度控制更精准。

#### Stable, fast and precise control

SONLY series two-platen injection molding machine adopts Techmation MES control system, dual CPU control, 1ms scan cycle, good reliability; High-response dual proportional valve control technology, fast mold opening and closing speed, high repeatability; full-closed loop control of injection speed, pressure and back pressure, fast control response and high precision; self-tuning function of material pipe and hot runner temperature parameters, more temperature control precise.

### IP54 安全级别电箱

电箱按 IP54 设计，防水防尘，冷却效果好，电气系统工作更稳定。

#### IP54 level safety electric box

The electrical box is designed into IP54, waterproof and dustproof, with good cooling effect and more stable electrical system.

## 技术优势

- 高性能控制，强大的开放软件平台
- 可实现更多功能定制，设备更多人性化设置

## Technical Advantages

- 1.High-performance control, powerful open software platform.
- 2.More functional customization can be realized, and more humanized for the equipment.

### 开合模位置精密控制

采用开合模位置预知功能算法，大大缩短开关模时间。全系列开顶联动功能 同步动作，实现更快的周期。

#### Precise control of mold opening and closing position

The mold opening and closing position prediction function algorithm is adopted, which greatly shortens the opening and dosing mold time. Full range of open top linkage functions Synchronize actions to achieve faster cycles.

### 合理化油、水、电布置

移动模板后侧集中化系统布局，使油路、水路及电路布置更安全、整齐、美观。

#### Reasonable oil, water, electricity layout

Centralized system layout at the back of moving platen, make the oil,water and electricity circuit more clean, elegant and safe.

### 模块化电控柜设计

电控柜采用模块化设计，弱电柜、强电柜和伺服控制柜分离配置，更合理、安全可靠。

#### Modular design of electric control cabinet

The electric control cabinet adopts a modular design, and the weak current cabinet, strong current cabinet and servo control cabinet are separately configured, which is more reasonable, safe and reliable.

### 欧规机械手插头

标配 Euromap 12 接口，满足客户更安全的链接需求。

#### European standard manipulator plug

Equipped with Euromap 12 interface as standard to meet customer's more secure link needs.

### 数据及安全

无限制的工艺数据的储存功能；警报及工艺参数变化的记忆功能；工艺数据变化的曲线记录功能；过程质量偏差控制（PDP）和过程质量统计（SPC）；多级用户的访问权限管理，保护数据安全；软件及硬件上的多重设备保护功能，保护人及设备的安全。

#### Data and Security

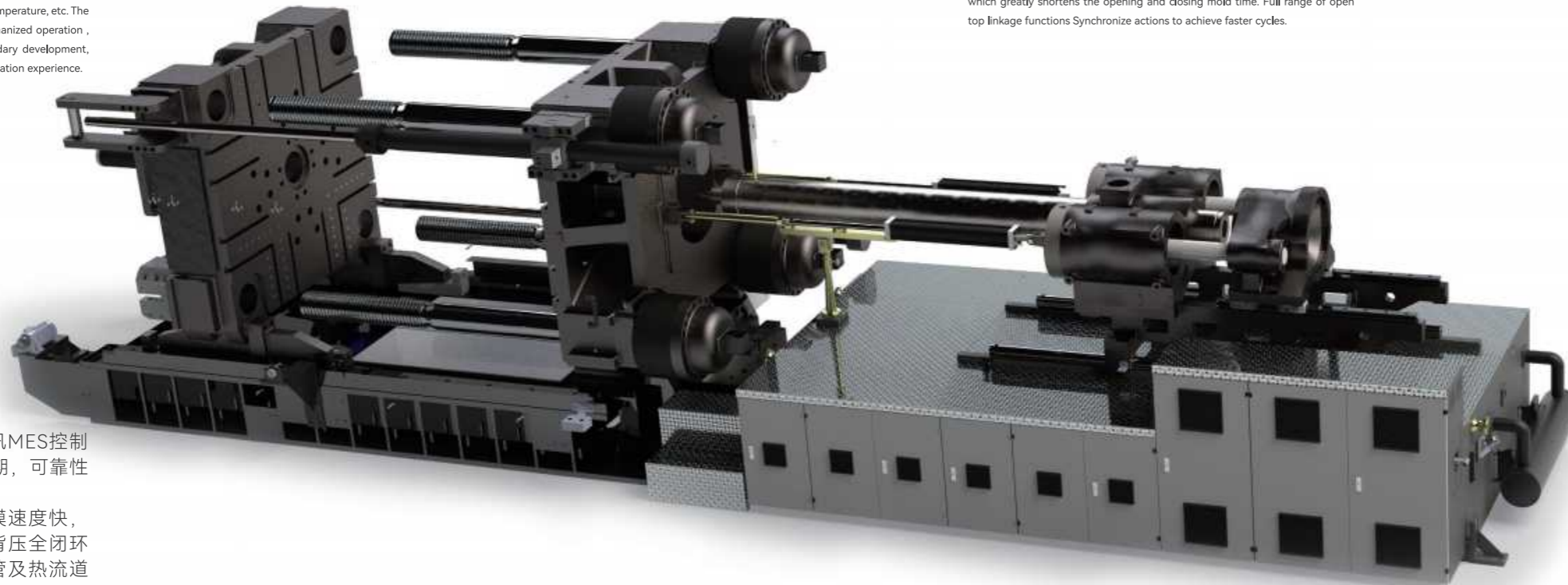
Unlimited process data storage function; Memory function of alarm and process parameter change; Curve recording function for process data changes; process quality deviation control (PDP) and process quality statistics (SPC); multi-level user access management, protection Data security; Multiple equipment protection functions on software and hardware to protect the safety of people and equipment.

### 辅机插头独立模块

外部独立通断控制，无需开启电箱，操作更安全更方便。

#### Auxiliary Plug Independent Module

External independent on-off control, no need to open the electric box, making the operation safer and more convenient.



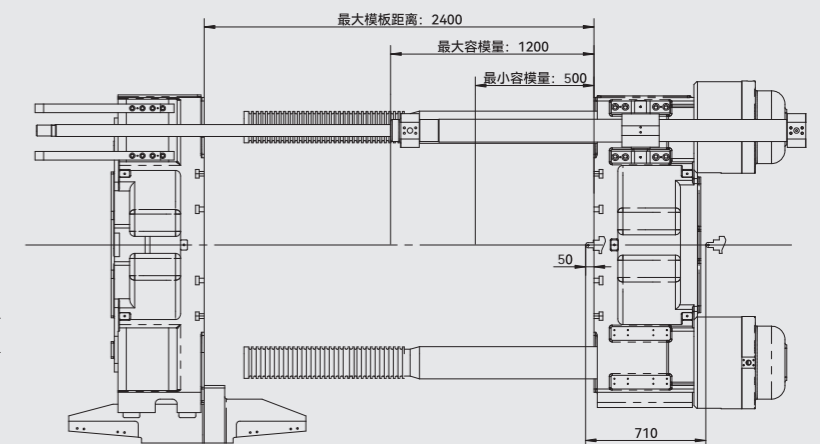
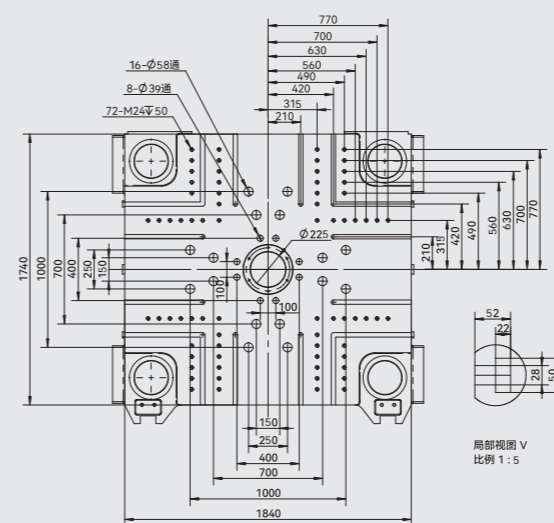
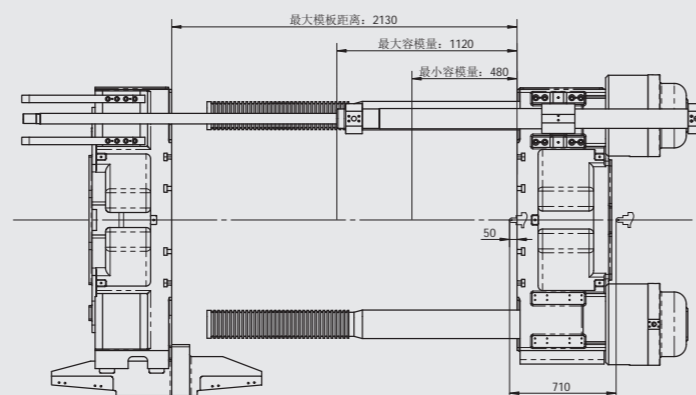
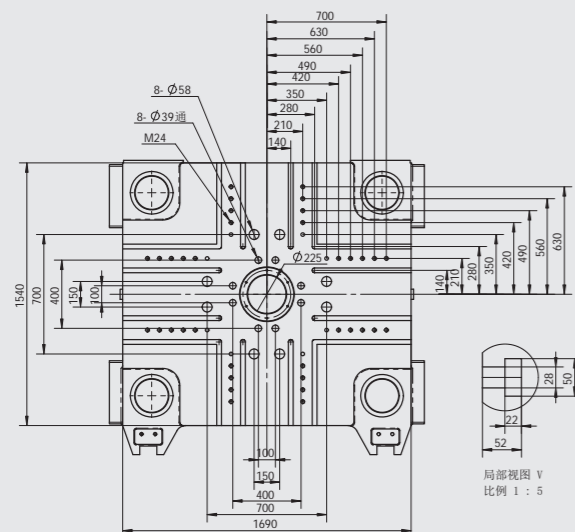
		U800/900TSDK												U1000/1100TSDK											
国际公认型号 INTERNATIONALLY RECOGNIZED MODEL		4990				6714				8912				6714				8912				11603			
<b>注射装置 INJECTION DEVICE</b>																									
螺杆直径 SCREW DIAMETER	mm	90	95	100	110	90	100	110	120	100	110	120	130	90	100	110	120	100	110	120	130	110	120	130	140
理论射胶容积 THEORETICAL INJECTION CAPACITY	cm <sup>3</sup>	2817	3139	3478	4208	2957	3650	4417	5256	4239	5129	6104	7164	2957	3650	4417	5256	4239	5129	6104	7164	5651	6725	7893	9154
射胶量及 (以PS计) SHOT WEIGHT(PS)	g	2563	2856	3164	3829	2691	3322	4019	4783	3858	4668	5555	6519	2691	3322	4019	4783	3858	4668	5555	6519	5143	6120	7183	8330
	oz	90	100	111	134	94	117	141	168	135	164	195	229	94	117	141	168	135	164	195	229	180	214	252	292
射胶压力 INJECTION PRESSURE	MPa	177.0	159.0	143.0	118.0	227	184	152	128	210	174	146	125	227	184	152	128	210	174	146	125	205	172	147	126
螺杆长径比 SCREW RATIO		23.2	22	20.9	19	24.4	22	20	18.3	24.2	22	20.2	18.6	24.4	22	20	18.3	24.2	22	20.2	18.6	24	22	20.3	18.9
射胶速率 INJECTION RATE	cm <sup>3</sup> /s	678	755	837	1012	585	723	875	1041	759	918	1093	1283	585	723	875	1041	759	918	1093	1283	911	1084	1272	1476
射胶速度 INJECTION PISTON SPEED	mm/s	106.6				92.2				96.7				92.2				96.7				95.6			
射胶行程 INJECTION STROKE	mm	443				465				540				465				540				595			
最大螺杆转速 MAX SCREW SPEED	r/min	100				109				111				109				111				103			
电热功率 ELECTRIC HEATING POWER	KW	60				70				90				70				90				97			
料筒加热区数 NUMBER OF HEATING ZONES IN THE MATERIAL BARREL		5+1				6+1				7+1				6+1				7+1				7+1			
<b>锁模装置 LOCKING DEVICE</b>																									
锁模力 CLAMPING FORCE	KN	8000/9000												10000/11000											
开模力 MOLD OPENING FORCE	KN	760												875											
模板尺寸 (仅作参考) PLATEN DIMENSION	mmxmm	1690x1540												1840x1740											
拉杆间距 SPACE BETWEEN TIE BAR	mmxmm	1180x1020												1280x1180											
容模量 BULK MODULUS		480-1120												500-1200											
开模行程 OPENING STROKE	mm	1650												1900											
最大模板距离 MAX DISTANCE PLATEN	mm	2130												2400											
顶出力 EJECTION FORCE	KN	220												274											
顶出行程 EJECTOR STROKE	mm	320												360											
顶出杆数量 NUMBER OF EJECTOR BAR	PC	17												25											
<b>系统 SYSTEM</b>																									
系统压力 SYS PRESSURE	Mpa	16/25				16/25				16/25				16/25				16/25				16/25			
电机功率 PUMP MOTOR	KW	34+43				43+43				34+34+34				43+43				34+34+34				43+43+34			
油箱容积 FUEL TANK CAPACITY	L	900				1000				1200				1000				1200				1400			
模具最大重量 MAXIMUM WEIGHT OF MOLD	T	13				13				13				19				19				19			
整机重量 OVERALL WEIGHT	T	33+10				33+11				33+12				41+11				41+12				40+14			
整机尺寸 OVERALL SIZE	M	10.1x3.2x2.9				10.1x3.2x2.9				10.5x3.3x2.9				10.9x3.4x3.0				10.9x3.4x3.0				11.9x3.4x3.0			

模板正面尺寸 Front dimensions of the template

模板侧面尺寸 Formwork side dimensions

模板正面尺寸 Front dimensions of the template

模板侧面尺寸 Formwork side dimensions





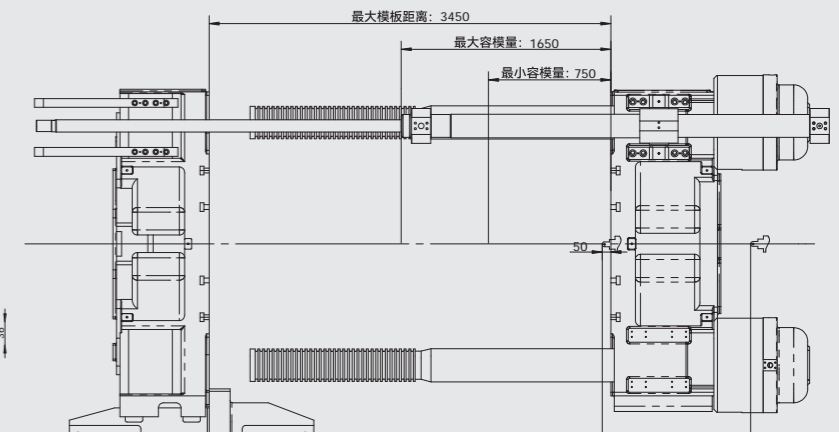
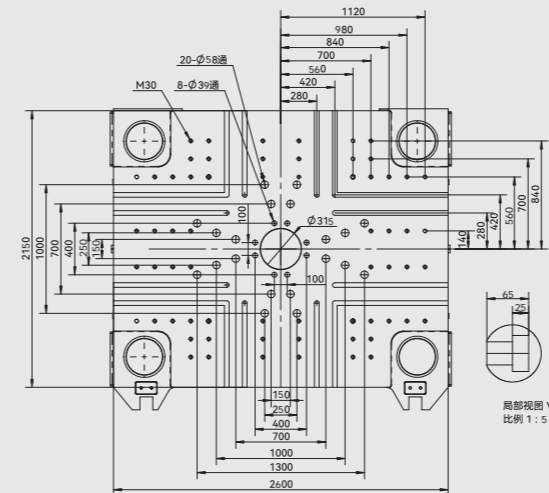
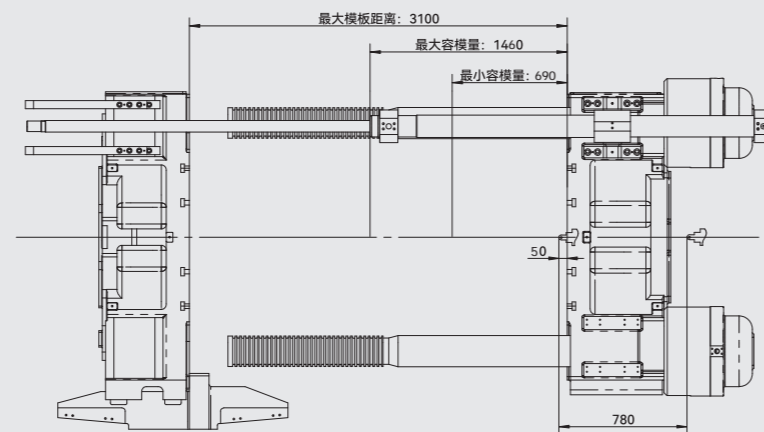
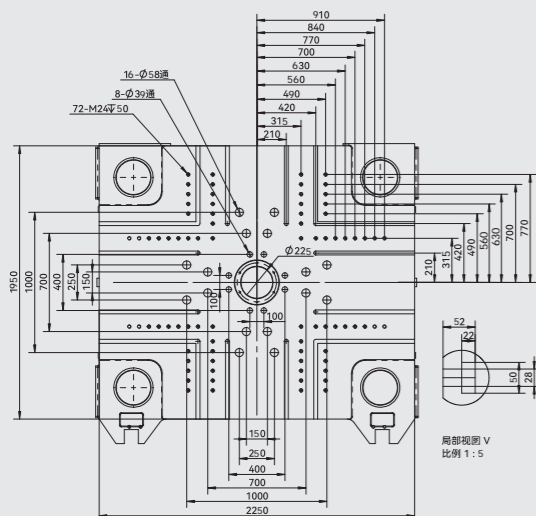
		U1300/1450TSDK												U1700/1850TSDK											
国际公认型号 INTERNATIONALLY RECOGNIZED MODEL		8912				11603				14419				11603				11419				15424			
<b>注射装置 INJECTION DEVICE</b>																									
螺杆直径 SCREW DIAMETER	mm	100	110	120	130	110	120	130	140	120	130	140	150	110	120	130	140	120	130	140	150	130	140	150	160
理论射胶容积 THEORETICAL INJECTION CAPACITY	cm <sup>3</sup>	4239	5129	6104	7164	5651	6725	7893	9154	7460	8755	10154	11657	5651	6725	7893	9154	7460	8755	10154	11657	9419	10924	12540	14268
射胶量及 (以PS计) SHOT WEIGHT(PS)	g	3858	4668	5555	6519	5143	6120	7183	8330	6789	7967	9240	10608	5143	6120	7183	8330	6789	7967	9240	10608	8571	9940	11411	12984
	oz	135	164	195	229	180	214	252	292	238	279	324	372	180	214	252	292	238	279	324	372	300	348	400	455
射胶压力 INJECTION PRESSURE	MPa	210	174	146	125	205	172	147	126	193	164	142	123	205	172	147	126	193	164	142	123	164	142	123	108
螺杆长径比 SCREW RATIO		24.2	22	20.2	18.6	24	22	20.3	18.9	23.8	22	20.4	19.1	24	22	20.3	18.9	23.8	22	20.4	19.1	23.7	22	20.5	19.3
射胶速率 INJECTION RATE	cm <sup>3</sup> /s	759	918	1093	1283	911	1084	1272	1476	1244	1460	1694	1944	911	1084	1272	1476	1244	1460	1694	1944	1460	1694	1944	2212
射胶速度 INJECTION PISTON SPEED	mm/s	96.7				95.6				110.0				95.6				110.0				110.0			
射胶行程 INJECTION STROKE	mm	540				595				660				595				660				710			
最大螺杆转速 MAX SCREW SPEED	r/min	111				103				90				103				90				90			
电热功率 ELECTRIC HEATING POWER	KW	90				97				118				97				118				118			
料筒加热区数 NUMBER OF HEATING ZONES IN THE MATERIAL BARREL		7+1				7+1				8+1				7+1				8+1				8+1			
<b>锁模装置 LOCKING DEVICE</b>																									
锁模力 CLAMPING FORCE	KN	13000/14500												17000/18500											
开模力 MOLD OPENING FORCE	KN	1230												1380											
模板尺寸 (仅作参考) PLATEN DIMENSION	mmxmm	2250x1950												2600x2150											
拉杆间距 SPACE BETWEEN TIE BAR	mmxmm	1540x1280												1870x1425											
容模量 BULK MODULUS		690-1460												750-1650											
开模行程 OPENING STROKE	mm	2410												2700											
最大模板距离 MAX DISTANCE PLATEN	mm	3100												3450											
顶出力 EJECTION FORCE	KN	300												300											
顶出行程 EJECTOR STROKE	mm	380												400											
顶出杆数量 NUMBER OF EJECTOR BAR	PC	25												33											
<b>系统 SYSTEM</b>																									
系统压力 SYS PRESSURE	Mpa	16/25				16/25				16/25				16/25				16/25				16/25			
电机功率 PUMP MOTOR	KW	34+34+34				43+43+34				34+34+43+43				43+43+34				34+34+43+43				34+34+43+43			
油箱容积 FUEL TANK CAPACITY	L	1200				1400				1800				1400				1800				1800			
模具最大重量 MAXIMUM WEIGHT OF MOLD	T	30				30				30				44				44				44			
整机重量 OVERALL WEIGHT	T	58+13				58+14				58+23				74+14				74+23				74+28			
整机尺寸 OVERALL SIZE	M	11.8x3.8x3.5				11.8x3.8x3.5				12.8x3.8x3.5				12.4x4.2x3.5				13.4x4.2x3.5				13.4x4.2x3.5			

模板正面尺寸 Front dimensions of the template

模板侧面尺寸 Formwork side dimensions

模板正面尺寸 Front dimensions of the template

模板侧面尺寸 Formwork side dimensions



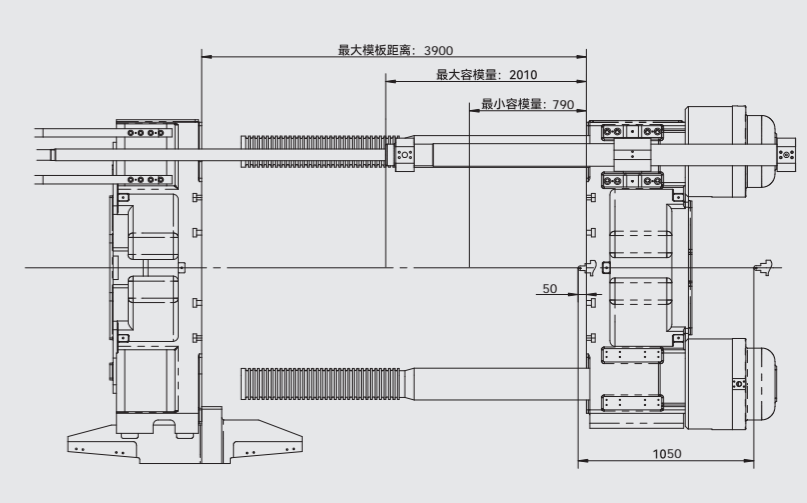
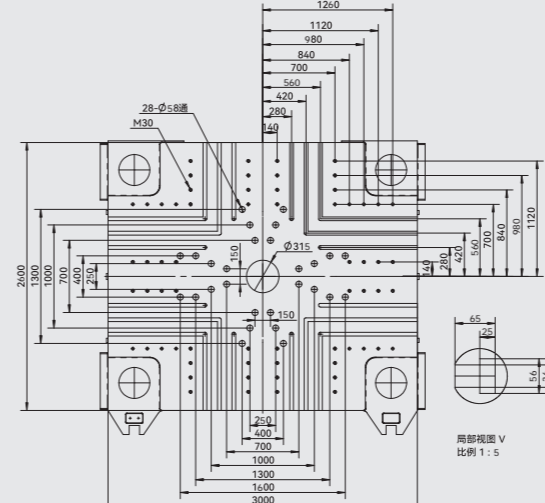
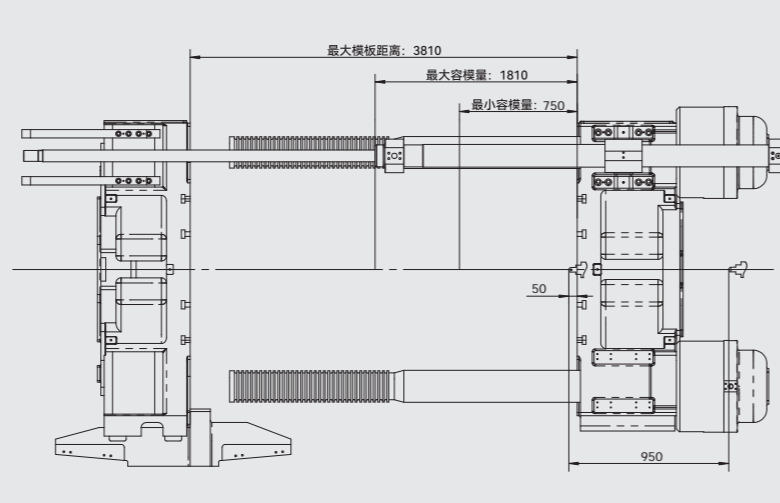
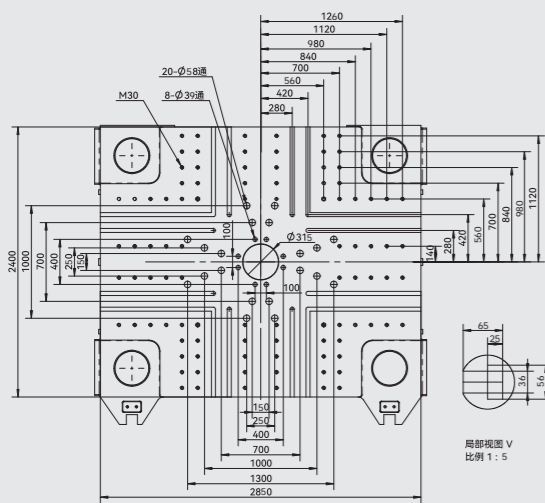
		U2000/2200TSDK												U2700/2900TSDK											
国际公认型号 INTERNATIONALLY RECOGNIZED MODEL		15424				20871				37746				20871				37746				42115			
<b>注射装置 INJECTION DEVICE</b>																									
螺杆直径 SCREW DIAMETER	mm	130	140	150	160	150	160	170	180	170	180	190	200	150	160	170	180	170	180	190	200	170	185	200	210
理论射胶容积 THEORETICAL INJECTION CAPACITY	cm <sup>3</sup>	9419	10924	12540	14268	14130	16076	18149	20347	20417	22890	25504	28260	14130	16076	18149	20347	20417	22890	25504	28260	20985	24851	29045	32022
射胶量及 (以PS计) SHOT WEIGHT(PS)	g	8571	9940	11411	12984	12858	14629	16515	18516	18580	20830	23209	25716	12858	14629	16515	18516	18580	20830	23209	25716	19096	22615	26341	29140
	oz	300	348	400	455	451	513	579	649	651	760	814	902	451	513	579	649	651	760	814	902	670	793	927	1022
射胶压力 INJECTION PRESSURE	MPa	164	142	123	108	148	130	115	103	184	164	148	133	148	130	115	103	184	164	148	133	200	169	145	131
螺杆长径比 SCREW RATIO		23.7	22	20.5	19.3	23.5	22	20.7	19.5	23.3	22	20.8	19.8	23.5	22	20.7	19.5	23.3	22	20.8	19.8	23.9	22	20.3	19.4
射胶速率 INJECTION RATE	cm <sup>3</sup> /s	1460	1694	1944	2212	1802	2051	2315	2596	2098	2352	2621	2904	1802	2051	2315	2596	2098	2352	2621	2904	1930	2286	2671	2945
射胶速度 INJECTION PISTON SPEED	mm/s	110.0				102.0				92.5				102.0				92.5				85.0			
射胶行程 INJECTION STROKE	mm	710				800				900				800				900				925			
最大螺杆转速 MAX SCREW SPEED	r/min	90				76				100				76				100				100			
电热功率 ELECTRIC HEATING POWER	KW	118				160				180				160				180				180			
料筒加热区数 NUMBER OF HEATING ZONES IN THE MATERIAL BARREL		8+1				11+1				14+1				11+1				14+1				14+1			
<b>锁模装置 LOCKING DEVICE</b>																									
锁模力 CLAMPING FORCE	KN	20000/22000												27000/29000											
开模力 MOLD OPENING FORCE	KN	1880												2200											
模板尺寸 (仅作参考) PLATEN DIMENSION	mmxmm	2850x2400												3000x2600											
拉杆间距 SPACE BETWEEN TIE BAR	mmxmm	2020x1620												2180x1755											
容模量 BULK MODULUS		750-1810												790-2010											
开模行程 OPENING STROKE	mm	3060												3110											
最大模板距离 MAX DISTANCE PLATEN	mm	3810												3900											
顶出力 EJECTION FORCE	KN	460												460											
顶出行程 EJECTOR STROKE	mm	430												500											
顶出杆数量 NUMBER OF EJECTOR BAR	PC	25												33											
<b>系统 SYSTEM</b>																									
系统压力 SYS PRESSURE	Mpa	16/25				16/25				16/25				16/25				16/25				16/25			
电机功率 PUMP MOTOR	KW	34+34+43+43				43x4				52x4				43x4				52x4				52x4			
油箱容积 FUEL TANK CAPACITY	L	1800				2000				3000				2000				3000				3000			
模具最大重量 MAXIMUM WEIGHT OF MOLD	T	58				58				58				73				73				73			
整机重量 OVERALL WEIGHT	T	95+15				95+23				95+24				113+23				114+24				115+32			
整机尺寸 OVERALL SIZE	M	13.4x4.2x3.8				13.3x4.2x3.8				14.9x4.2x3.8				15.3x4.5x3.9				16.3x4.5x3.9				16.3x4.5x3.9			

模板正面尺寸 Front dimensions of the template

模板侧面尺寸 Formwork side dimensions

模板正面尺寸 Front dimensions of the template

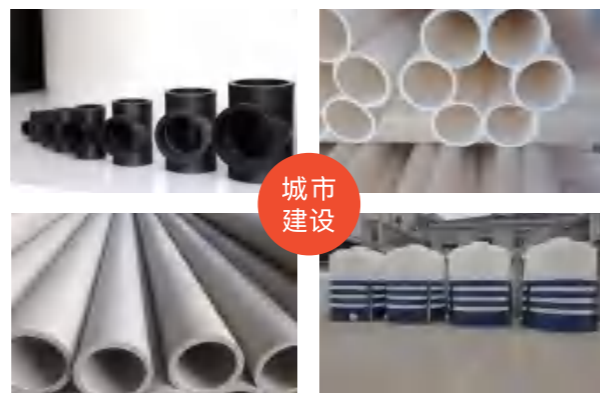
模板侧面尺寸 Formwork side dimensions







民用家居



城市建设



其他



汽配

## 涉及行业及应用领域

INVOLVING INDUSTRIES AND APPLICATION FIELDS

作为高端基础制造设备，首力注塑机赋能包装、物流 & 环保、城市建设、家电、汽车配件、电子产品、日用品等众多行业绿色节能、持续发展，助力全球企业伙伴降本增效、提升竞争力。

As a high-end basic manufacturing equipment, Shouli injection molding machines enable green, energy-saving and sustainable development in many industries such as packaging, logistics & environmental protection, urban construction, home appliances, auto parts, electronic products, and daily necessities, helping global business partners to reduce costs, increase efficiency, and enhance competition force.



日用品



通讯电子



物流环保



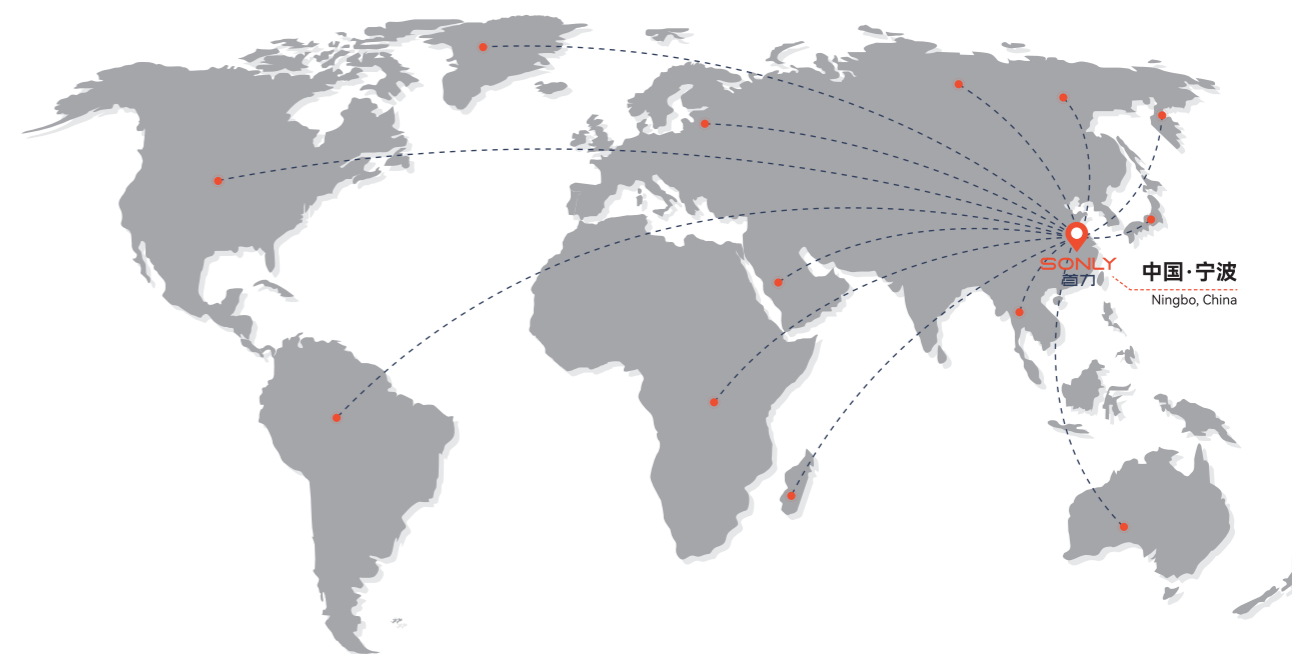
医疗

## 全球服务网络，打造峰值体验

GLOBAL SERVICE NETWORK TO CREATE PEAK EXPERIENCE

首力服务中心遍布全球，历经二十年沉淀，打磨出一套完善的服务体系，以最快的响应速度为客户解决问题。

Sonly service centers are located all over the world. After 20 years of precipitation, a complete service system has been polished to solve problems for customers with the fastest response speed.



 (+86)400-8120-669

7X24 小时电话全球响应，用机无忧，为用户打造峰值体验。

7X24 hours global phone response, carefree use of the machine, to create peak experience for users.

